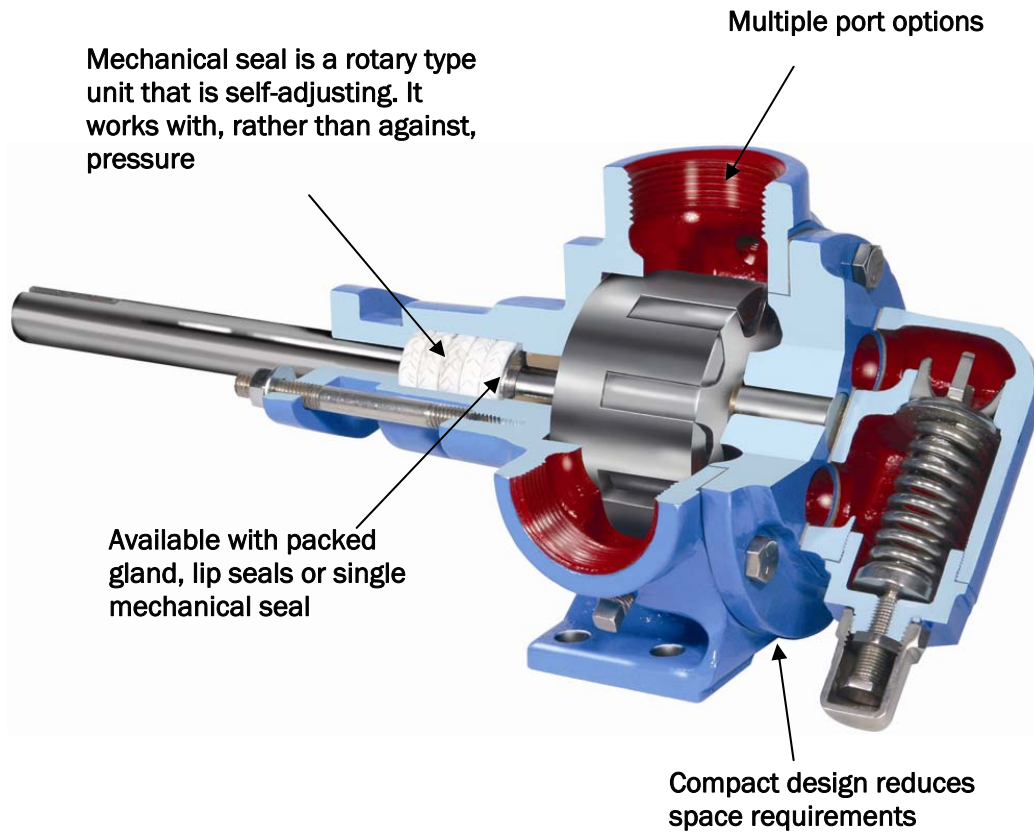




KelairPumps

General Purpose

VIKING GEAR PUMPS



FEATURES & BENEFITS

- Low-cost pump for light to medium duty applications
- Maximise productivity with only two moving parts, simplifying maintenance
- Maximise space with these compact pump design units
- Available in UL (Underwriter's Label) construction for fuel oil transfer

Call Kelair Direct 1300 789 466

STANDARD PUMP CONSTRUCTION & OPTIONS

STANDARD:

- Casing -Cast Iron
- Rotor -Cast Iron
- Idler -Steel / Cast Iron
- Bushing -Carbon Graphite / Bronze
- Seal Type -Packed gland

OPTIONS:

- Casing -Bronze
- Rotor -Steel, Bronze
- Idler -Steel, Bronze
- Bushing -Bronze, Carbon Graphite
- Seal Type -Buna, Viton, or Teflon fitted single mechanical seal

TYPICAL LIQUIDS AND APPLICATIONS

- Filtering -Hot Oil Fryers
- Lubricating -Lube Oil Systems
- Circulating -Fuel Oil Systems
- Metering -Ink Dispensing Units

PERFORMANCE SPECIFICATIONS - Standard Construction

Model Number		Port Size	Nominal Pump Rating		Maximum Hydrostatic Pressure	Maximum Discharge Pressure (For 22cps)	Maximum Recommended Temperature For Standard Pump DegC		Approx. Shipping Weight With Relief Valve
Packed	Mech. Seal	Inches	m ³ /hr	RPM	Bar	Bar	Packed	Mech. Seal	Kg
C32	C432	¼	0.09	1450	52	17	150	107	2
F32	F432	½	0.28	1450	52	17	150	107	3
FH32	FH432	½	0.57	1450	52	17	150	107	3
G32	G432	1	0.91	920	28	7	150	107	7
H32	H432	1	1.8	920	28	7	150	107	9
HL32	HL432	1½	3.6	920	28	7	150	107	11
K32	n/a	1½	8.0	420	28	7	150	-	30
KK32	n/a	2	11.4	420	28	7	150	-	32
L32	n/a	2	20.5	420	28	7	150	-	54
LQ32	n/a	2½	20.5	420	28	7	150	-	57
LL32	n/a	3	32.0	520	28	7	150	-	61
Q32	n/a	3	46.0	350	28	5	150	-	152
M32	n/a	4	64.0	280	28	5	150	-	222
N32	n/a	5	103.0	280	5	150	150	-	304